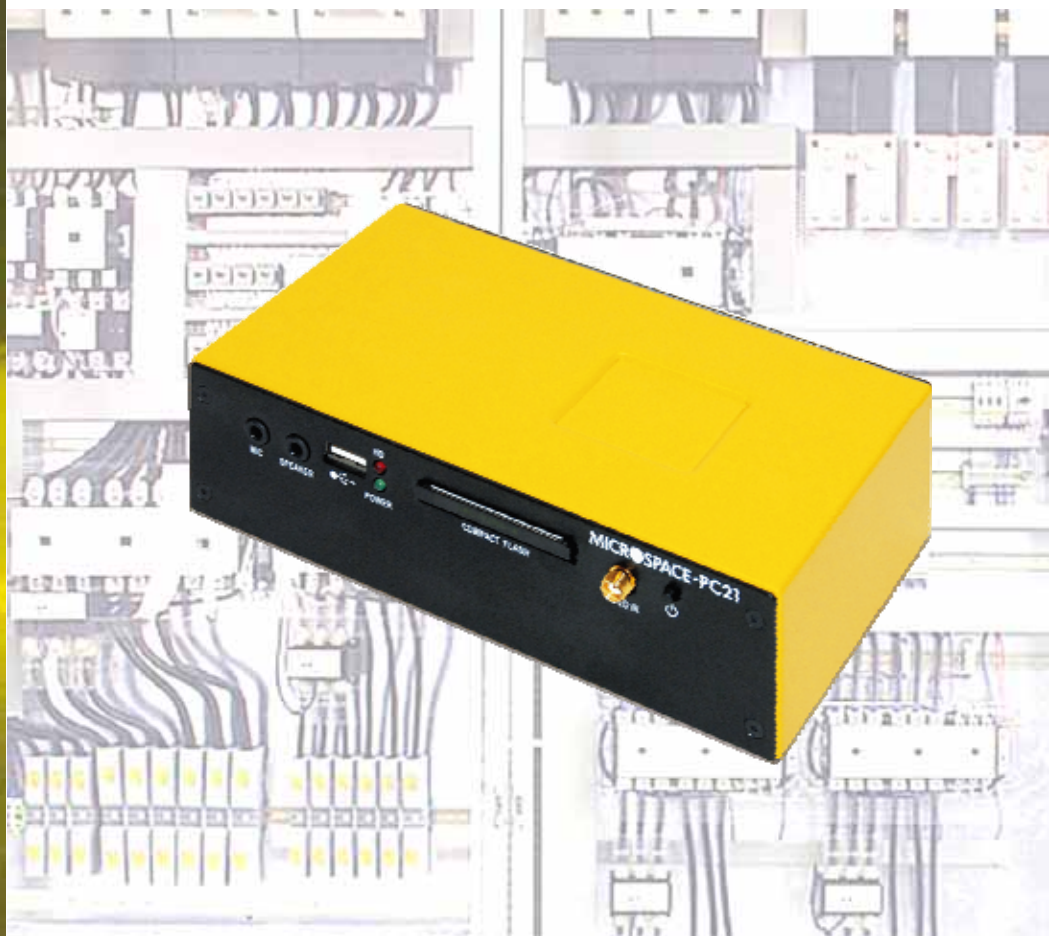


APS Annunciator System TS400

Installation & User Manual CPU



Safety and installation

For your own safety, please read this manual carefully and follow the instructions. Improper handling can damage the device.

Cleaning:

Do not use any liquid cleaner or corrosive agent. Only clean with a dampened cloth.

Installation:

- Installation should be performed only by trained personnel.
- Please note the maximum allowable length for Ethernet cable.

Mounting:

- The CPU should not be installed without protection outdoors or in rooms with high humidity or where it is in contact with condensation.
- The CPU can be mounted on a DIN rail or simply placed on a rack shelf.

Connection of Supply Voltage:

The CPU can be connected in two different ways (10-30VDC):

- Connection via terminal block 2.5mm²
- Connection via power supply socket 10-30VDC

| Pin | Left | Middle | Right |
|------------|---------|--------|-----------|
| Assignment | GND / - | Shield | Power / + |



Front wall:



| | |
|-----------------------------|--|
| MIC: | Stereo input for microphone |
| SPEAKER: | Stereo speaker output |
| USB: | USB version 2.0 |
| HD-LED (red): | Hard disk/Compact Flash activity indicator |
| POWER-LED (green) off: | No power available, system is not running |
| POWER-LED (green) flashing: | Power is applied, but computer is in the “off” state |
| POWER-LED (green) on: | Computer is running |
| Compact Flash: | Socket for Compact Flash Type 1 and Type 2 |
| VIDEO IN: | CVBS video input |
| On/Off-Switch: | Power switch |

Back side:



| | |
|--------------|--|
| Dual-USB: | USB version 2.0 |
| KB/MS: | PS2 Keyboard; with a Y-cable, a PS/2 Mouse |
| DC-Input: | Power input |
| VGA: | Video output for RGB-CRT/LCD |
| WLAN: | Option WLAN antenna |
| LAN-Port B: | 100MB / with activity / link – LED |
| LAN-Port A: | 100MB / with activity / link – LED |
| Power Input: | 10-30VDC power input |
| COM1: | Serial interface RS232C (Modem) |
| COM2: | Serial interface RS232 (Bias local) |

Technical data:

| | |
|----------------------|--|
| Dimensions | 165 x 46 x 110 mm (BxHxT) |
| Weight | 700g |
| Case | Aluminium |
| Temperature range | -25 bis +70 °C |
| Degree of protection | IP20 |
| Power rating | 10 W |
| Supply voltage range | 10 - 30VDC |
| System expansion | I/O WAGO nodes = 128 Display module BIAS 400 = 16 |
| Installation | Place on rack shelf DIN-rail |

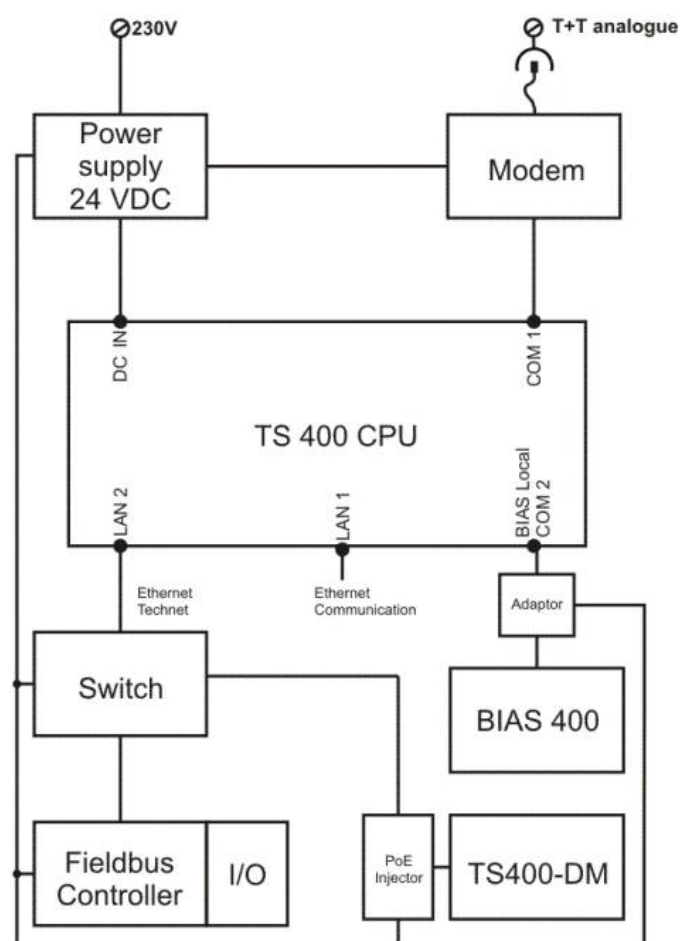
Connection principle:

| | |
|-------------|---------------|
| 832.700.103 | CPU Flash 4GB |
|-------------|---------------|

Dimensions:



Connection diagram:



Doc-0011-e 05.11